

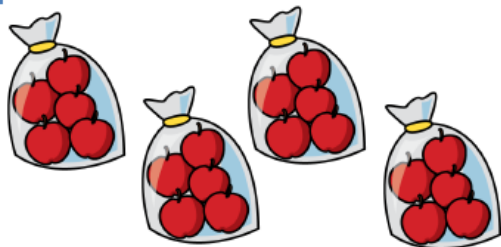
AWGS Maths Problems of the Week (16 March)

Key Stage 1

KS1 Problem of the Day

Friday 16th March 2018

- 1 Tina has 4 bags of 5 apples.



Joe has twice as many apples in 10 bags.

How many apples are in each of Joe's bags?

- 2 5 bananas cost £2



A pineapple costs £3



How much do 20 bananas and 3 pineapples cost in total?

Key Stage 2

KS2 Problem of the Day

Friday 16th March 2018

- 1 If this is $\frac{1}{3}$ of a shape.



What fraction of the shape is this?



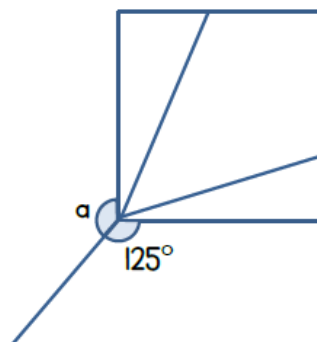
Explain your reasoning.

- 2 A 5 litre jug of water is shared between 6 glasses.

A 6 litre jug of water is shared between 9 mugs.

Which contains more water a glass or a mug?

- 3 The diagram below shows a square and some lines.



What is the size of the angle marked a?